

STARTING SERIAL NUMBER 1075

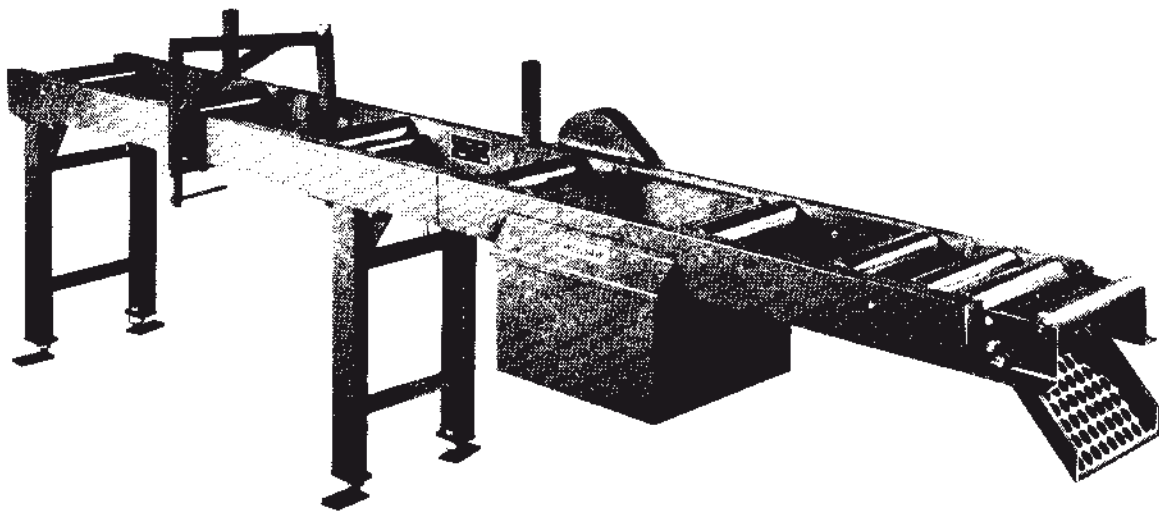
PARTS LIST

Wellsaw®

MODEL 370 & 370-A

ROTO-VEYOR

AUTOMATIC BAR FEED



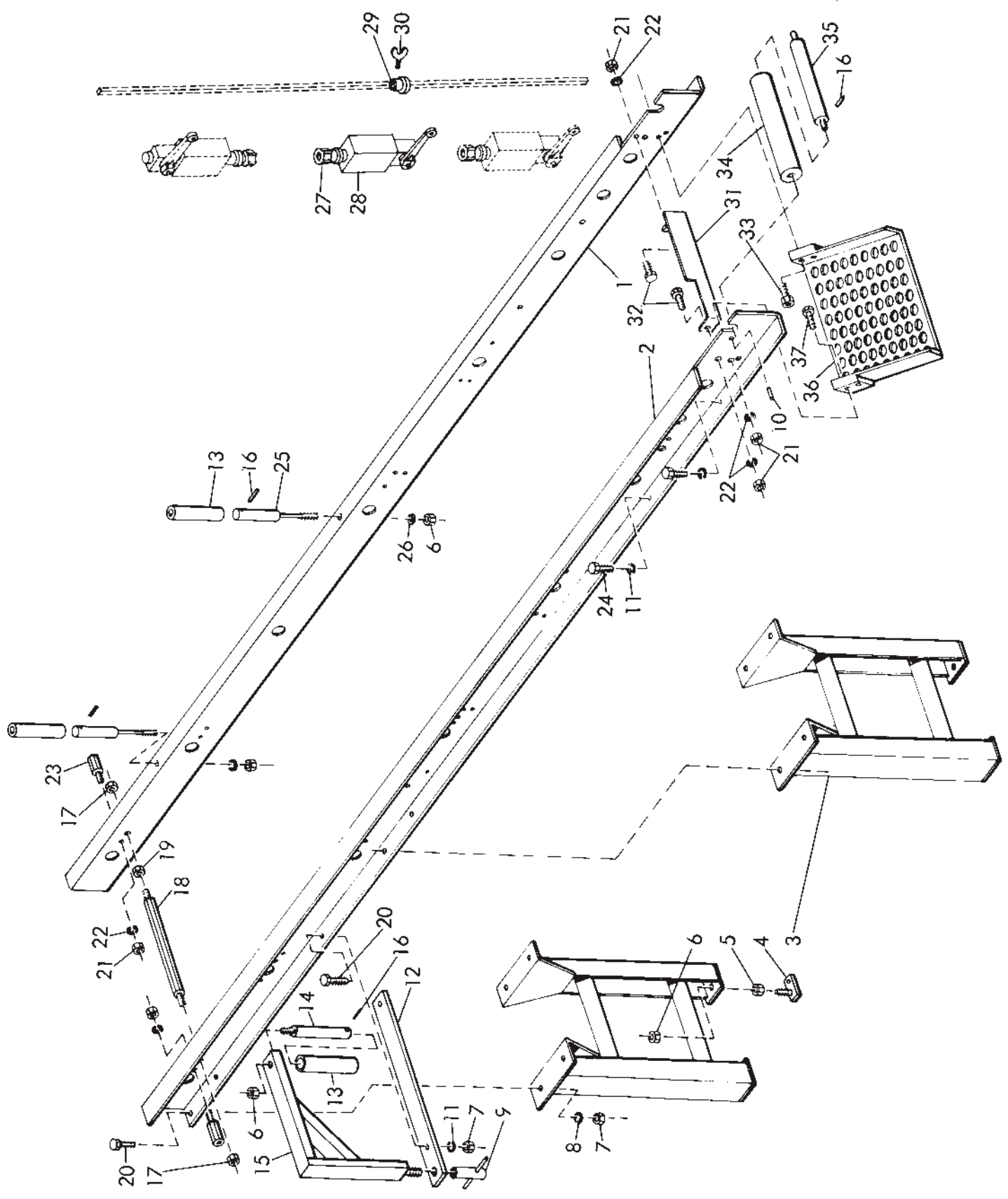
Wellsaw®

2829 N. Burdick St.
Kalamazoo, MI 49004
Phone: 269-345-1132
Fax: 269-345-0095

website: www.wellsaw.com email: parts@wellsaw.com

Always Give Model Number, Serial Number and Part Number when Ordering Repair Parts

RAIL AND LEG DETAILS



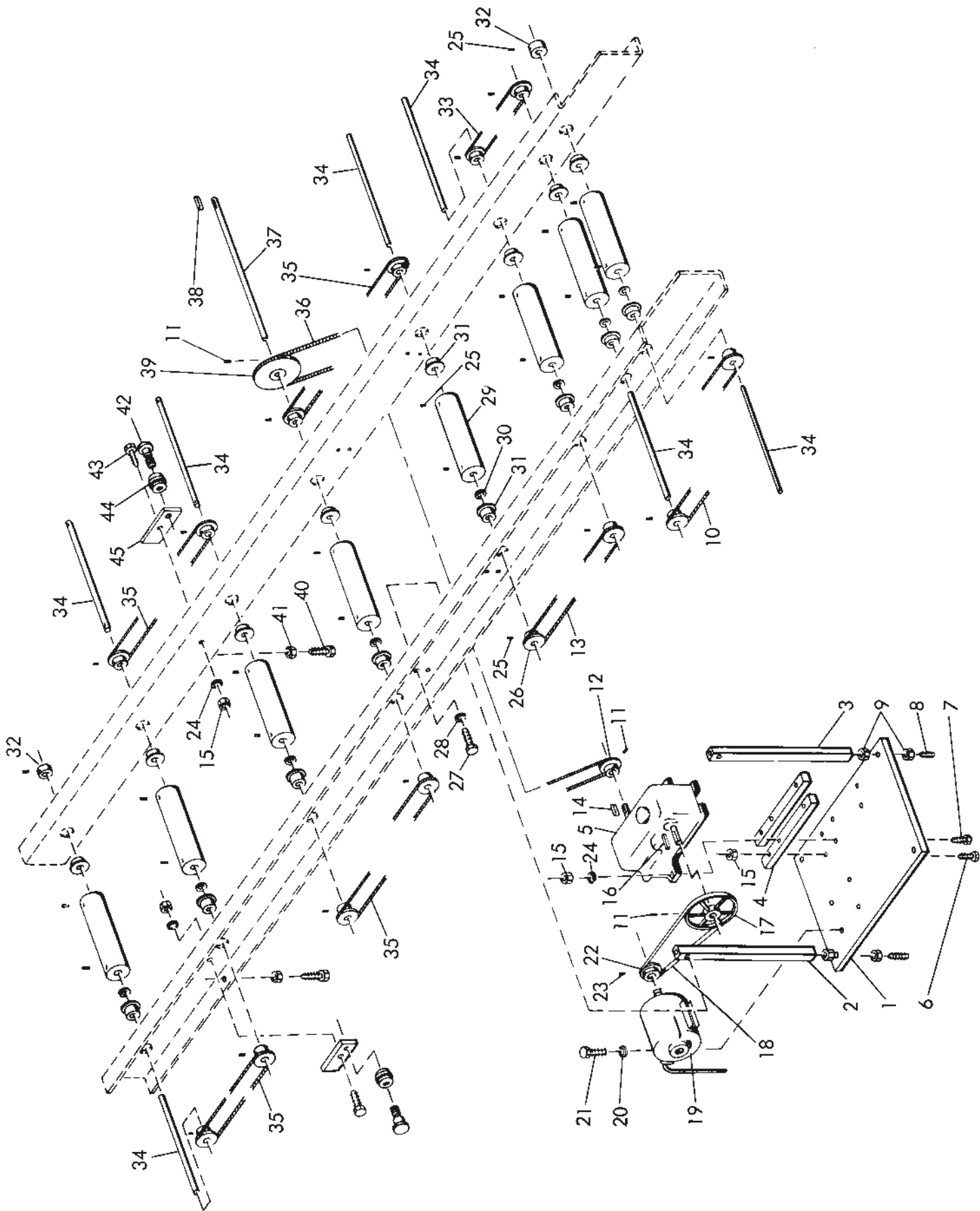
Always give model number, serial number and part number when ordering repair parts.

RAIL AND LEG DETAILS PARTS LIST

| REF NO. | PART NUMBER | DESCRIPTION |
|---------|-------------|------------------------------------------|
| 1 | 106035 | Side Rail - R. H. |
| 2 | 106036 | Side Rail - L. H. |
| 3 | 102211 | Leg |
| 4 | 102217 | Adjusting Foot |
| 5 | 100017-8 | Hex Nut - 3/4 - 10 |
| 6 | 100019-8 | Hex Jam Nut - 3/4 - 10 |
| 7 | 100017-3 | Hex Nut - 3/8 - 16 |
| 8 | 100025-3 | Lock Washer - 3/8 |
| 9 | 102307 | Clamp and Handle |
| 10 | 100053-9 | Roll Pin - 1/8 x 5/8 |
| 11 | 100025-3 | Lock Washer - 3/8 |
| 12 | 102306 | Roller Bracket Base Bar |
| 13 | 102294 | Roller and Bearing |
| 14 | 102297 | Roller Axle |
| 15 | 102299 | Roller Bracket |
| 16 | 100053-5 | Roll Pin - 3/16 x 1 |
| 17 | 100017-5 | Hex Nut - 1/2 - 13 |
| 18 | 102247 | Tie Bar |
| 19 | 100019-5 | Hex Jam Nut - 1/2 - 13 |
| 20 | 100004-29 | Cap Screw - 3/8 - 16 x 1 1/4 - Hex Head |
| 21 | 100017-2 | Hex Nut - 5/16 - 18 |
| 22 | 100025-2 | Lock Washer - 5/16 |
| 23 | 102255 | Stud |
| 24 | 100004-27 | Cap Screw - 3/8 - 16 x 1 - Hex Head |
| 25 | 102305 | Roller Axle |
| 26 | 100025-8 | Lock Washer - 3/4 |
| 27 | 100605-1 | Connector |
| 28 | 100782-4 | Limit Switch |
| 29 | 106129 | Actuating Collar |
| 30 | 100063 | Thumb Screw - 1/4 - 20 x 1/2 |
| 31 | 102378 | Support Bar |
| 32 | 100004-16 | Cap Screw - 5/16 - 18 x 7/8 - Hex Head |
| 33 | 100004-20 | Cap Screw - 5/16 - 18 x 1 1/4 - Hex Head |
| 34 | 102291 | Tip Off Roller and Bearing |
| 35 | 102293 | Roller Axle |
| 36 | 102337 | Chute |
| 37 | 100004-19 | Cap Screw - 5/16 - 18 x 1 1/8 - Hex Head |

Always Give Model Number, Serial Number and Part Number when Ordering Repair Parts

ROLLER AND DRIVE DETAILS



Always give model number, serial number and part number when ordering repair parts.

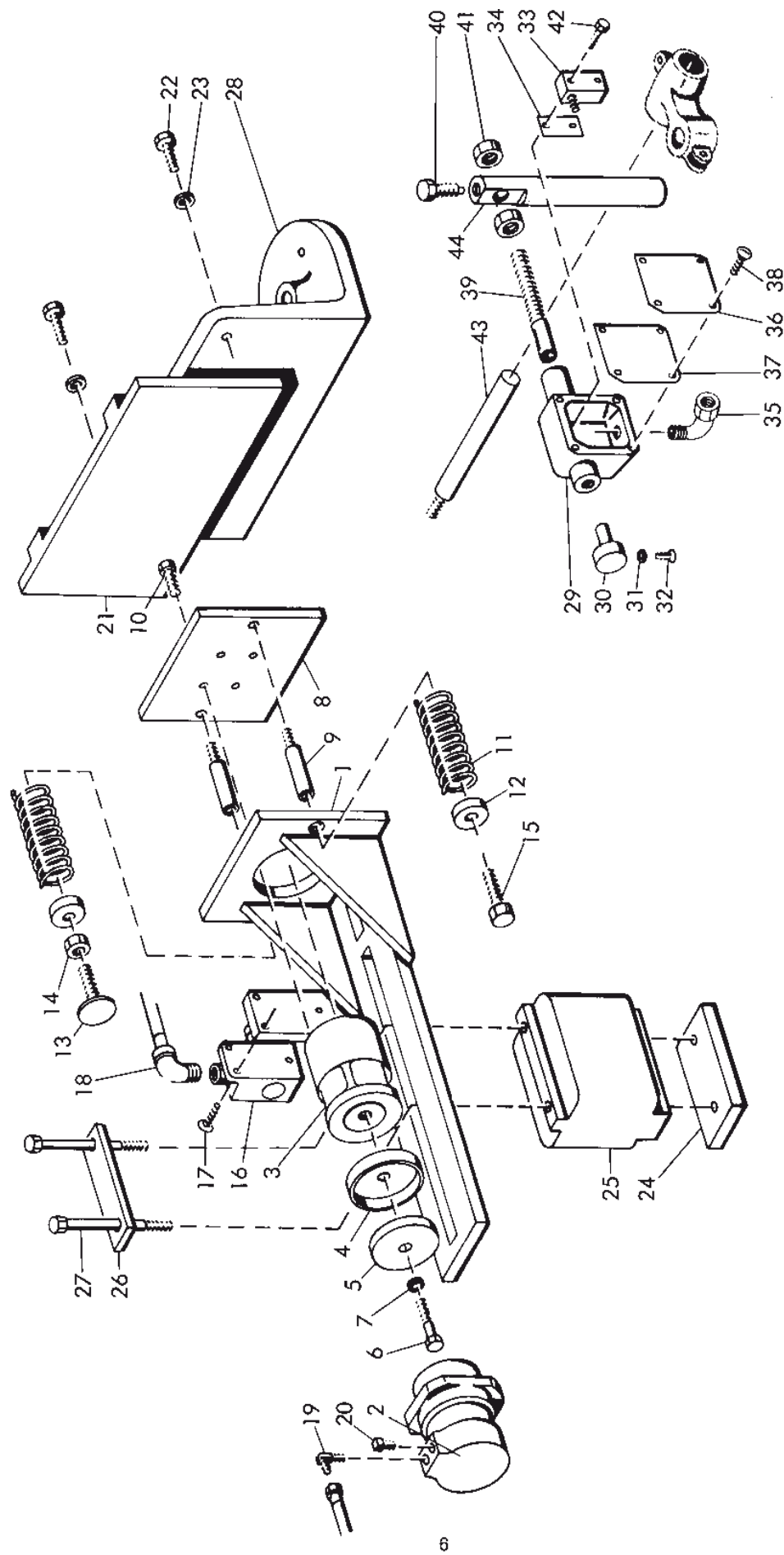
ROLLER AND DRIVE DETAILS

PARTS LIST

| REF NO. | PART NUMBER | DESCRIPTION |
|---------|-------------|--------------------------------------------------|
| 1 | 106024 | Base Plate |
| 2 | 106025-1 | Hanger |
| 3 | 106025-2 | Hanger |
| 4 | 106027 | Plate Stiffener |
| 5 | 102260-1 | Speed Reducer |
| 6 | 100004-31 | Cap Screw - 3/8 - 16 x 2 - Hex Head |
| 7 | 100004-32 | Cap Screw - 3/8 - 16 x 2 1/2 - Hex Head |
| 8 | 100034-35 | Set Screw - 1/2 - 13 x 2 1/2 |
| 9 | 100019-5 | Hex Jam Nut - 1/2 - 13 |
| 10 | 100087-1 | Roller Chain |
| 11 | 100034-25 | Set Screw - 1/4 - 20 x 3/8 |
| 12 | 100117-3 | Sprocket - 15 tooth |
| 13 | 100087-3 | Roller Chain |
| 14 | 100056-28 | Square Key - 1/4 x 1/4 x 1 |
| 15 | 100017-3 | Hex Nut - 3/8 - 16 |
| 16 | 100056-10 | Square Key - 3/16 x 3/16 x 1 |
| 17 | 102288-1 | Pulley - Driven |
| 18 | 100066-31 | "V" Belt |
| 19 | | 1/4 H.P. Motor - Give complete electrical specs. |
| 20 | 100029-3 | Flat Washer - 5/16 |
| 21 | 100004-11 | Cap Screw - 5/16 - 18 x 1/2 - Hex Head |
| 22 | 102289 | Pulley - Motor |
| 23 | 100034-3 | Set Screw - 5/16 - 18 x 3/8 |
| 24 | 100025-3 | Lock Washer - 3/8 |
| 25 | 100077-3 | Set Screw - 5/16 - 18 x 1/2 |
| 26 | 102248 | Sprocket - 10 tooth |
| 27 | 100004-19 | Cap Screw - 5/16 - 18 x 1 1/8 - Hex Head |
| 28 | 100025-2 | Lock Washer - 5/16 |
| 29 | 102374 | Roller |
| 30 | 100030-9 | Flat Washer - 5/8 S.A.E. |
| 31 | 100443-1 | Ball Bearing |
| 32 | 102350 | Collar |
| 33 | 100087-2 | Roller Chain |
| 34 | 102246 | Roller Axle |
| 35 | 100087-4 | Roller Chain |
| 36 | 100087-38 | Roller Chain |
| 37 | 106037 | Roller Axle |
| 38 | 100056-11 | Square Key - 3/16 x 3/16 x 1 1/8 |
| 39 | 100117-4 | Sprocket - 45 tooth |
| 40 | 103319 | Adjusting Screw |
| 41 | 100019-3 | Hex Jam Nut - 3/8 - 16 |
| 42 | 103318 | Roller Axle |
| 43 | 100004-29 | Cap Screw - 3/8 - 16 x 1 1/4 - Hex Head |
| 44 | 103316 | Roller and Bearing |
| 45 | 103315 | Pivot Bar |

Always Give Model Number, Serial Number and Part Number When Ordering Repair Parts

WISE AND STOCK STOP SWITCH DETAILS



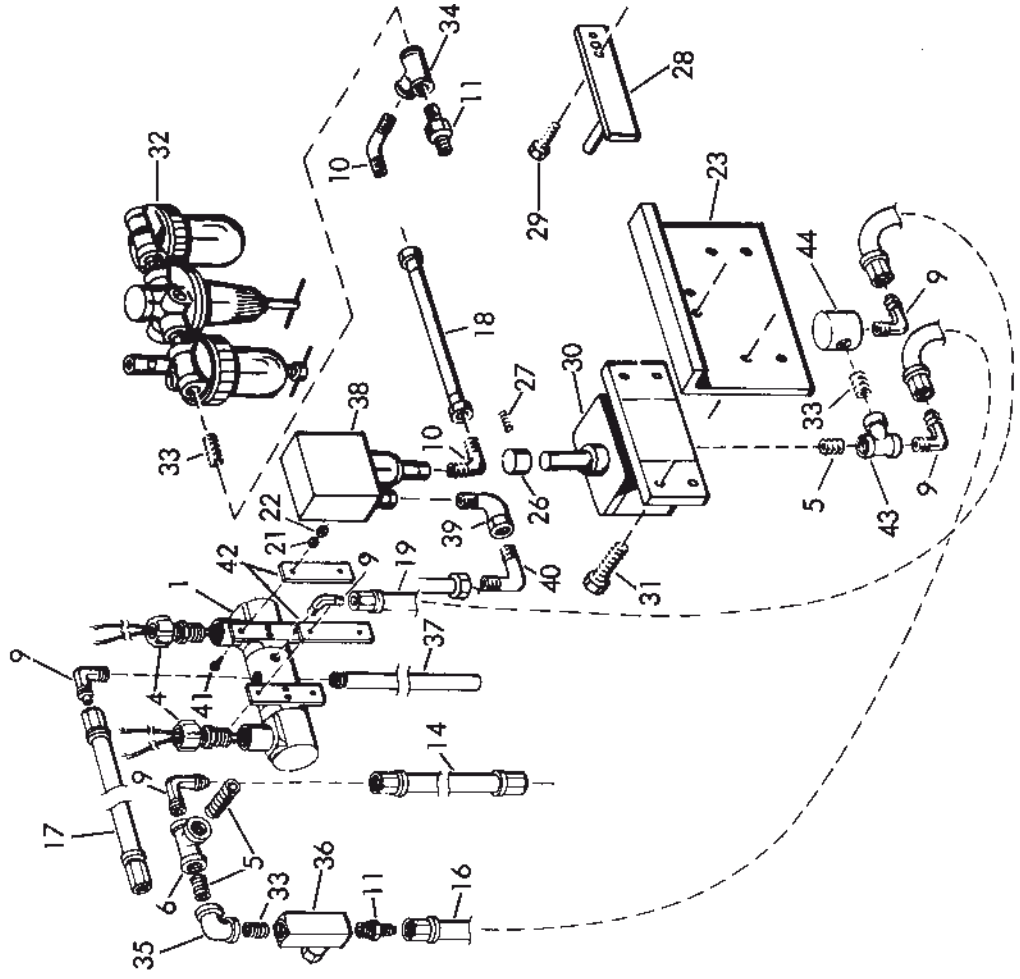
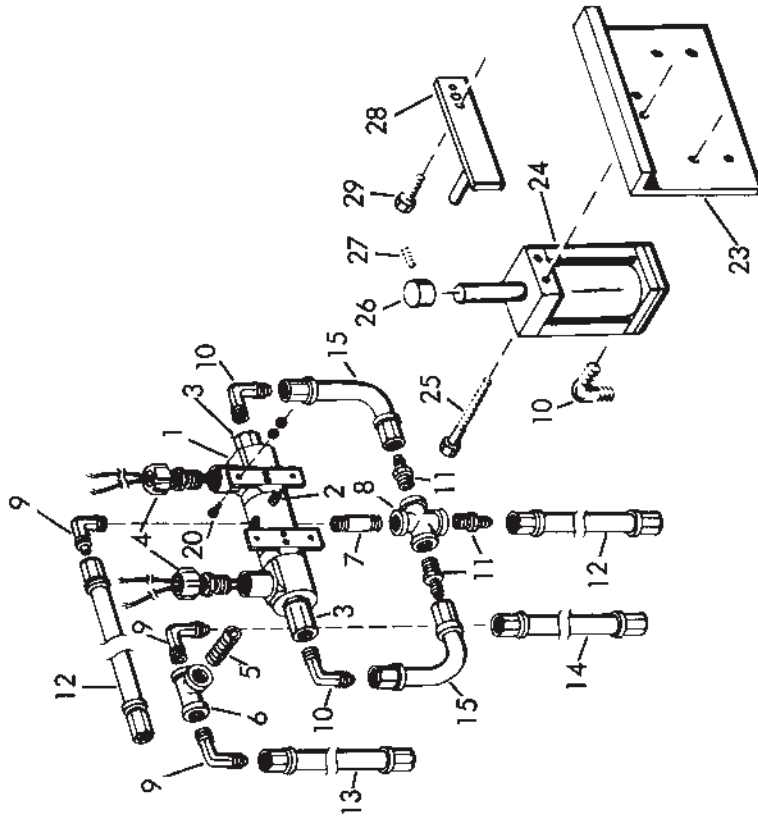
Always give model number, serial number and part number when ordering repair parts.

VISE AND STOCK STOP SWITCH DETAILS PARTS LIST

| REF NO. | PART NUMBER | DESCRIPTION |
|---------|-------------|---------------------------------------------------------------|
| 1 | 102388 | Vise |
| 2 | 102228 | Cylinder |
| 3 | 102232 | Piston |
| 4 | 102339 | Piston Cup Seal |
| 5 | 102233 | Piston Follower |
| 6 | 100004-16 | Cap Screw - 5/16 - 18 x 7/8 - Hex Head |
| 7 | 100025-2 | Lock Washer - 5/16 |
| 8 | 102235 | Vise Jaw |
| 9 | 102390 | Stud |
| 10 | 100008-18 | Cap Screw - 5/16 - 18 x 3/4 - Socket Head |
| 11 | 102284 | Spring |
| 12 | 102360 | Spacer |
| 13 | 104604 | Actuating Screw |
| 14 | 100017-2 | Hex Nut - 5/16 - 18 |
| 15 | 100004-11 | Cap Screw - 5/16 - 18 x 1/2 - Hex Head |
| 16 | 100671 | Micro-Switch |
| 17 | 100000-28 | Machine Screw - 1/4 - 20 x 1 - Round Head |
| 18 | 100604-1 | Connector |
| 19 | 100256-1 | Angle Adapter |
| 20 | 100211-2 | Pipe Plug |
| 21 | 102239 | Jaw Face |
| 22 | 100004-37 | Cap Screw - 1/2 - 13 x 1 1/2 - Hex Head |
| 23 | 100029-6 | Flat Washer - 1/2 |
| 24 | 102242 | Vise Slide Block Guide |
| 25 | 102243 | Vise Slide Block |
| 26 | 102244 | Clamp Bar |
| 27 | 100010-4 | Machine Bolt - 1/2 - 13 x 7 |
| 28 | 104617-1 | Stationary Vise Jaw |
| 29 | 106071 | Housing and Bearing |
| 30 | 102318 | Actuating Cap |
| 31 | 100027-3 | Lock Washer |
| 32 | 100000-18 | Machine Screw - #10 - 32 x 3/8 - Round Head |
| 33 | 100543 | Micro-Switch |
| 34 | 102321 | Spacer |
| 35 | 100604-1 | Connector |
| 36 | 102322 | Housing Cover |
| 37 | 102323 | Housing Gasket |
| 38 | 100000-24 | Machine Screw - 1/4 - 20 x 3/8 - Round Head |
| 39 | 102324 | Adjusting Arm |
| 40 | 102326 | Stud |
| 41 | 100019-18 | Hex Jam Nut - 3/4 - 16 |
| 42 | 100000-6 | Machine Screw - #6 - 32 x 1 1/4 - Round Head |
| 43 | 106105-2 | Stock Stop Extension Bar - 20" Projection |
| | 106105-3 | Stock Stop Extension Bar - 10" Projection |
| | 106105-4 | Stock Stop Extension Bar - 30" Projection |
| 44 | 106044 | Stop Arm |
| | 102391 | Hydraulic Vise Comp. - Incl. Items 1 thru 20 |
| | 102231 | Piston Ass'y - Incl. Items 3 thru 7 |
| | 106070 | Stock Stop Switch Ass'y Comp. - Incl. Items 29 thru 42 and 44 |

Always Give Model Number, Serial Number and Part Number When Ordering Repair Parts

HYDRAULIC AND AIR VALVE DETAILS



MODEL 370 HYDRAULIC

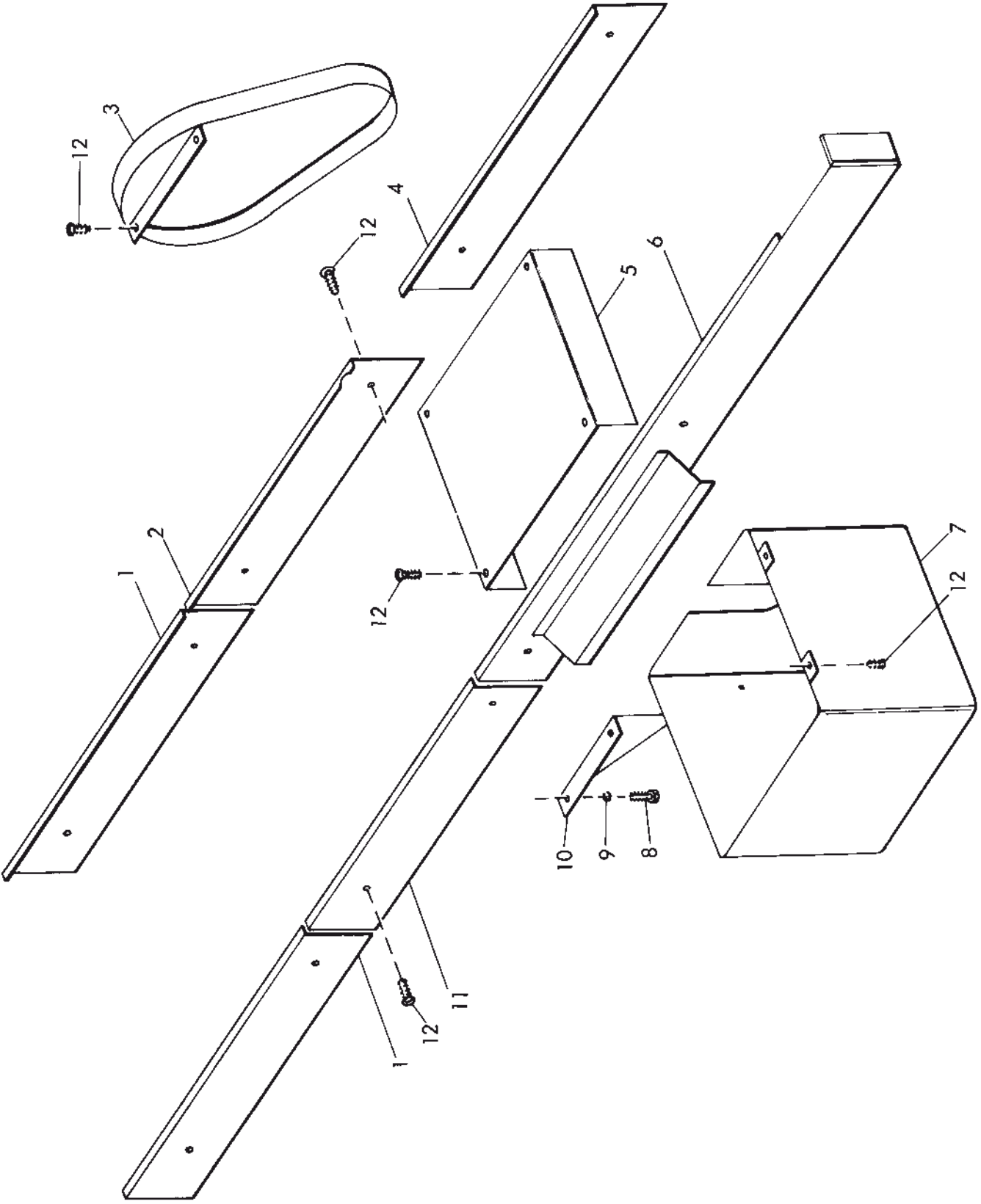
MODEL 370-A AIR

Always give model number, serial number and part number when ordering repair parts.

HYDRAULIC AND AIR VALVE DETAILS PARTS LIST

| REF NO. | PART NUMBER | DESCRIPTION |
|---------|-------------|-----------------------------------------------|
| 1 | 100673-12 | Valve |
| 2 | 100211-10 | Pipe Plug - 1/8 |
| 3 | 100303-1 | Hydraulic Adapter |
| 4 | 100605-1 | Connector |
| 5 | 100203-1 | Close Nipple - 1/8 |
| 6 | 100207-1 | Pipe Tee - 1/8 |
| 7 | 100203-19 | Pipe Nipple - 1/4 x 1 1/2 |
| 8 | 100302-1 | Pipe Cross - 1/4 |
| 9 | 100256-3 | Angle Adapter - 1/8 |
| 10 | 100256-1 | Angle Adapter - 1/4 |
| 11 | 100255-1 | Straight Adapter - 1/4 |
| 12 | 100254-33 | Hose - 22" Long |
| 13 | 100254-34 | Hose - 26" Long |
| 14 | 100254-4 | Hose - 64 1/2" Long |
| 15 | 100254-35 | Hose - 4 1/2" Long |
| 16 | 100254-29 | Hose - 24" Long |
| 17 | 100254-39 | Hose - 12 1/2" Long |
| 18 | 100254-32 | Hose - 7 1/2" Long |
| 19 | 100254-16 | Hose - 28" Long |
| 20 | 100000-20 | Machine Screw - #10 - 32 x 3/4 - Round Head |
| 21 | 100027-3 | Lock Washer |
| 22 | 100015-8 | Hex Nut - #10 - 32 |
| 23 | 106028 | Cylinder Mounting Plate |
| 24 | 100299-13 | Hydraulic Cylinder |
| 25 | 100008-42 | Cap Screw - 1/4 - 20 x 1 3/4 - Socket Head |
| 26 | 106034 | Rod Cap |
| 27 | 100034-25 | Set Screw - 1/4 - 20 x 3/8 |
| 28 | 106031 | Lever Bar |
| 29 | 100004-13 | Cap Screw - 5/16 - 18 x 5/8 - Hex Head |
| 30 | 100299-14 | Air Cylinder |
| 31 | 100004-3 | Cap Screw - 1/4 - 20 x 1/2 - Hex Head |
| 32 | 100259-1 | Filter - Regulator - Lubricator and Gauge |
| 33 | 100203-18 | Close Nipple - 1/4 |
| 34 | 100207-2 | Pipe Tee - 1/4 |
| 35 | 100300-1 | Reducing Elbow - 1/4 to 1/8 |
| 36 | 100286-1 | Control Valve |
| 37 | 106074 | Exhaust Pipe |
| 38 | 100798-1 | Pressure Switch |
| 39 | 100796-2 | Short Elbow |
| 40 | 100604-1 | Connector |
| 41 | 100000-58 | Machine Screw - #10 - 32 x 1 1/4 - Round Head |
| 42 | 106086 | Spacer |
| 43 | 100229-1 | Reducing Tee - 1/8 x 1/8 x 1/4 |
| 44 | 100304-2 | Pilot Operated Valve |

GUARD DETAILS



Always give model number, serial number and part number when ordering repair parts.

GUARD DETAILS

PARTS LIST

| REF NO. | PART NUMBER | DESCRIPTION |
|---------|-------------|---------------------------------------------|
| 1 | 102311 | Chain Guard |
| 2 | 102346 | Chain Guard |
| 3 | 106043 | Chain Guard |
| 4 | 106041 | Chain Guard |
| 5 | 106045 | Cover Guard |
| 6 | 106042 | Chain Guard |
| 7 | 106039 | Guard |
| 8 | 100004-3 | Cap Screw - 1/4 - 20 x 1/4 - Hex Head |
| 9 | 100025-1 | Lock Washer - 1/4 |
| 10 | 106040 | Chain Guard |
| 11 | 102345 | Chain Guard |
| 12 | 100000-24 | Machine Screw - 1/4 - 20 x 3/8 - Round Head |