

- 103547 BLADE GUARD (INNER)
- 103548 BLADE GUARD (OTHER)
- 100034-25 PITCH ADJUSTMENT SCREW
- 103518 SLIDE BLOCK
- 103550 PAKS-UP SCREW BLOCK
- 103560 SPACER

- 103581 PAKS-UP SCREW ASSEMBLY
- 102714 SLIDE BLOCK GUIDE (2 BOTTOM)
- 102715 SLIDE BLOCK GUIDE (2 TOP)

- 101322 ROLLER SUPPORT
- 100406-1 BALL BEARING (3)
- 101288 ROLLER AXLE (2)
- 101289 ECCENTRIC AXLE
- 101300 ECCENTRIC AXLE NUT
- 100030-4 PLAT WASHER (3)

- 101236 SWITCH BOX
- 100585 COND & PLUG ASS'Y.
- 100586 MOTOR COND ASS'Y.
- 100577 MOTOR COND ASS'Y.
- 100580-2 WIRE JOINT
- 101239 COVER
- 101241 SPRING
- 101242 CONTROL ROD

- 101229 TIP-OFF BLOCK

- 101337 TABLE
- 101336 BALL BEARING (3)
- 101298 ROLLER AXLE (2)
- 101289 ECCENTRIC AXLE
- 101300 ECCENTRIC AXLE NUT
- 100030-4 PLAT WASHER (3)

- 103550 WHEEL GUARD
- 103553 TABLE SUPPORT
- 100034-25 PITCH ADJUSTMENT SCREW
- 101292 FULCRUM
- 100058-10 KEY
- 103563 SPUD
- 100048-2 1/4" BEIR
- 103559 DUST SHIELD
- 102905 SPUD
- 101289 FULCRUM

- 103541 PIVOT BRACKET
- 103545 PIVOT BAR
- 103546 COLLAR (NOT SHOWN)
- 101285 GEAR CASE
- 101283 DRIVE SHAFT & PINION
- 100404-1 BALL BEARING (2)
- 101286 GEAR
- 10056-1 KEY
- 100405-1 BALL BEARING
- 101343 PULLEY SHAF & PINION
- 100603-2 BALL BEARING
- 100581 COVER RING
- 100072-1 EXPANSION RING

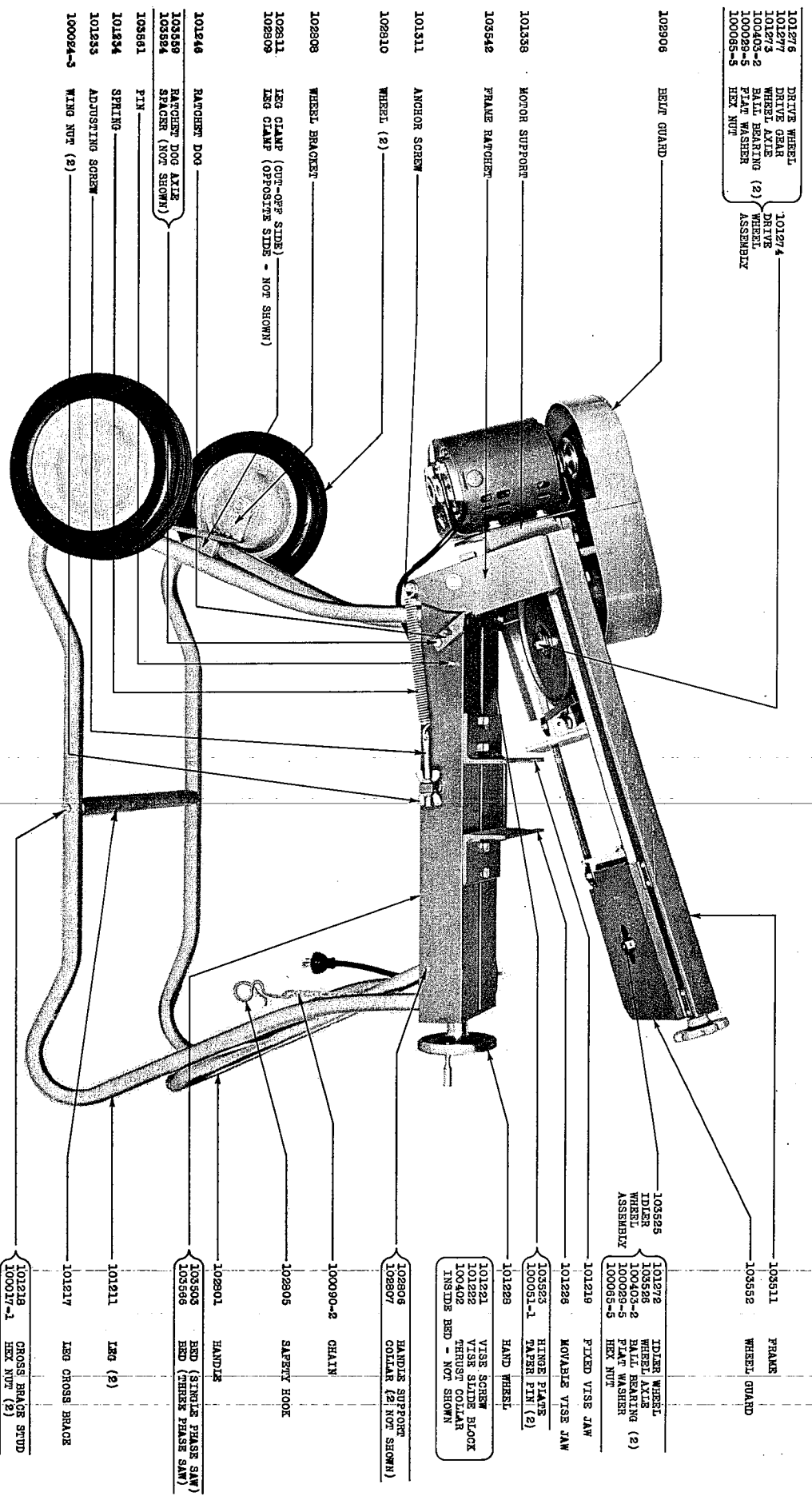
- 103549 BLADE GUARD

FOR THREE PHASE SAW (NOT SHOWN)

P-26 PRAISE PERSP  
 M-25 SAW  
 M-24 SWITCH TRIGGER  
 101420 SWITCH  
 100580-9 MOTOR COHD  
 103568 SWITCH ROD  
 101530 SWITCH ROD POST

GIVE COMPLETE ELECTRICAL SPECIFICATIONS WHEN ORDERING MOTOR OR SWITCH  
 SERIAL NUMBER OF SAW MUST BE GIVEN WHEN ORDERING REPAIR PARTS

CO.	DATE	BY	NEXT ASSEMBLY	MODEL NUMBER	NUMBERS REQUIRED	THIS PRINT IS THE PROPERTY OF WELLS MANUFACTURING CORP. AND IS RETURNED FOR REPAIR AND REPAIR ONLY. THE PURCHASING OF THIS PRINT IS NOT A WARRANTY. ALL RELATIONSHIPS ON DWG. MUST BE FIELD AS SHOWN.	FINISH	SCALE	DATE PRINTED	PART NO.
A				300				4:44	5/18/62	103564
B										
C										
D										
E										
F										



- 101276 DRIVE WHEEL
- 101277 DRIVE GEAR
- 101278 WHEEL AXLE
- 100403-2 BALL BEARING (2)
- 100028-5 PLATE WASHER
- 100085-5 HEX NUT

- 101274 DRIVE WHEEL ASSEMBLY

102906 BELT GUARD

- 103525 IDLER WHEEL
- 101272 WHEEL AXLE
- 100403-2 BALL BEARING (2)
- 100028-5 PLATE WASHER
- 100085-5 HEX NUT

- 103511 FRAME
- 103552 WHEEL GUARD

101336 MOTOR SUPPORT

- 101219 FIXED VISE JAW
- 101228 MOVABLE VISE JAW

105542 FRAME RATCHET

- 105932 HINGE PLATE
- 100051-1 PAPER PIN (2)

101311 ANCHOR SCREW

- 101221 VISE SCREW
- 101222 VISE SLIDE BLOCK
- 100402 THRUST COLLAR
- INSIDE RBD - NOT SHOWN

102810 WHEEL (2)

- 102806 HANDLE SUPPORT COLLAR (2) NOT SHOWN
- 102807

102808 WHEEL BRACKET

- 100090-2 CHAIN

102811 LEG CLAMP (OUT-OPP SIDE)

- 102805 SAFETY HOOK

102809 LEG CLAMP (OPPOSITE SIDE - NOT SHOWN)

- 102801 HANDLE

101248 RATCHET DOG

- 103503 RBD (SINGLE PHASE SAW)
- 103566 RBD (THREE PHASE SAW)

105189 RATCHET DOG AXLE

- 101211 LEG (2)

103584 SPACER (NOT SHOWN)

- 101217 LEG CROSS BRACE

105861 PIN

- 101216 CROSS BRACE STUD
- 100017-1 HEX NUT (2)

101234 SPRING

101233 ADJUSTING SCREW

100024-3 WING NUT (2)

GIVE COMPLETE ELECTRICAL SPECIFICATIONS WHEN ORDERING MOTOR OR SWITCH  
 SERIAL NUMBER OF SAW MUST BE GIVEN WHEN ORDERING REPAIR PARTS

C.O.	DATE	BY	NEXT ASSEMBLY	MODEL NUMBER	QUANTITY REQUIRED	FINISH	WELLS MANUFACTURING CORP., THREE RIVERS, MICH.	REPAIR PARTS LIST	DATE PRINTED	PART NO.
A				300				MODEL 300 METAL SAW		103564
B										
C										
D										
E										
F										