

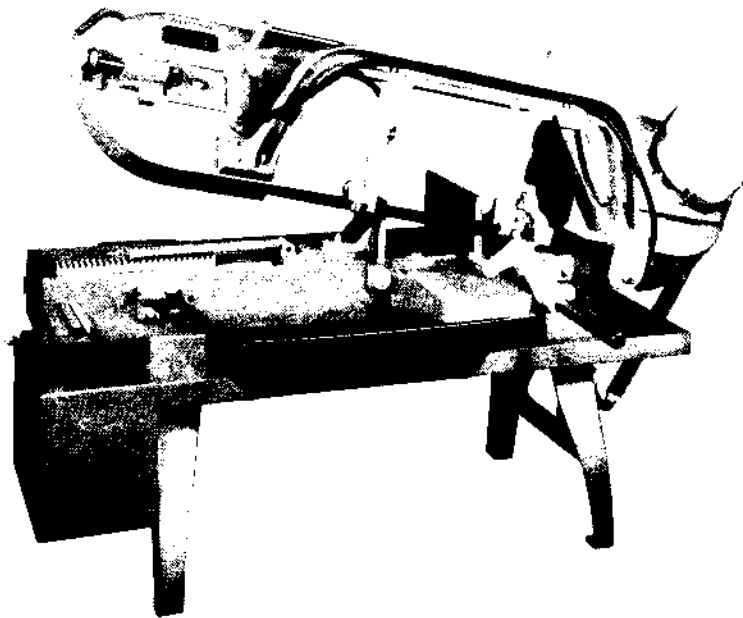
FOR SERIAL NUMBER 1233 THRU 2044

# PARTS LIST

FOR

# Wellsaw®

MODEL 1000  
METAL CUTTING BAND SAW



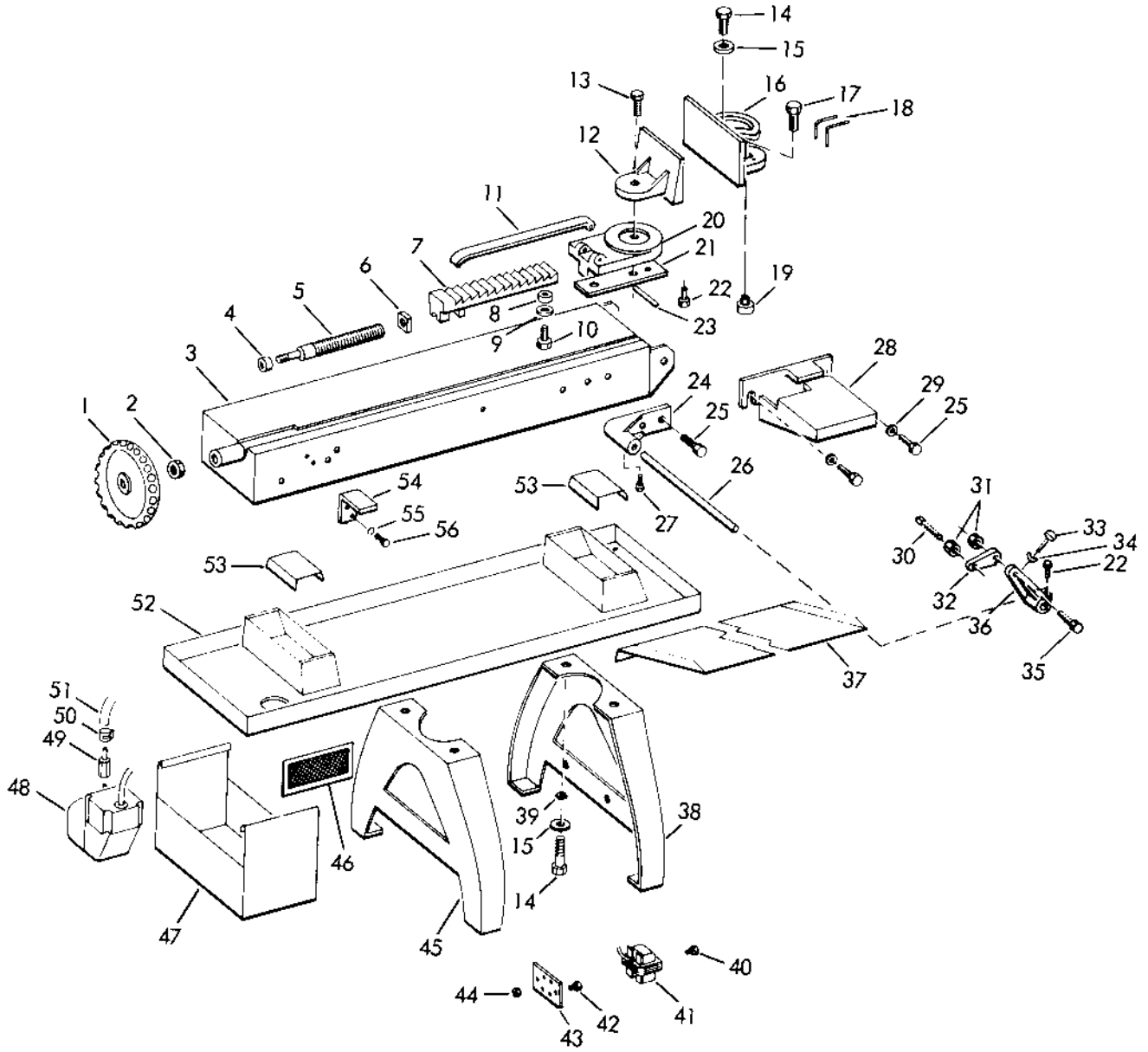
## Wellsaw®

2829 N. Burdick, Kalamazoo, MI 49007  
Telephone: 616-345-1132  
FAX: 616-345-0095

AS OF AUGUST 1 2002  
NEW AREA CODE  
269

Always Give Model Number, Serial Number and Part Number When Ordering Repair Parts

## BED AND COOLANT DETAILS



Always give model number, serial number and part number when ordering repair parts.

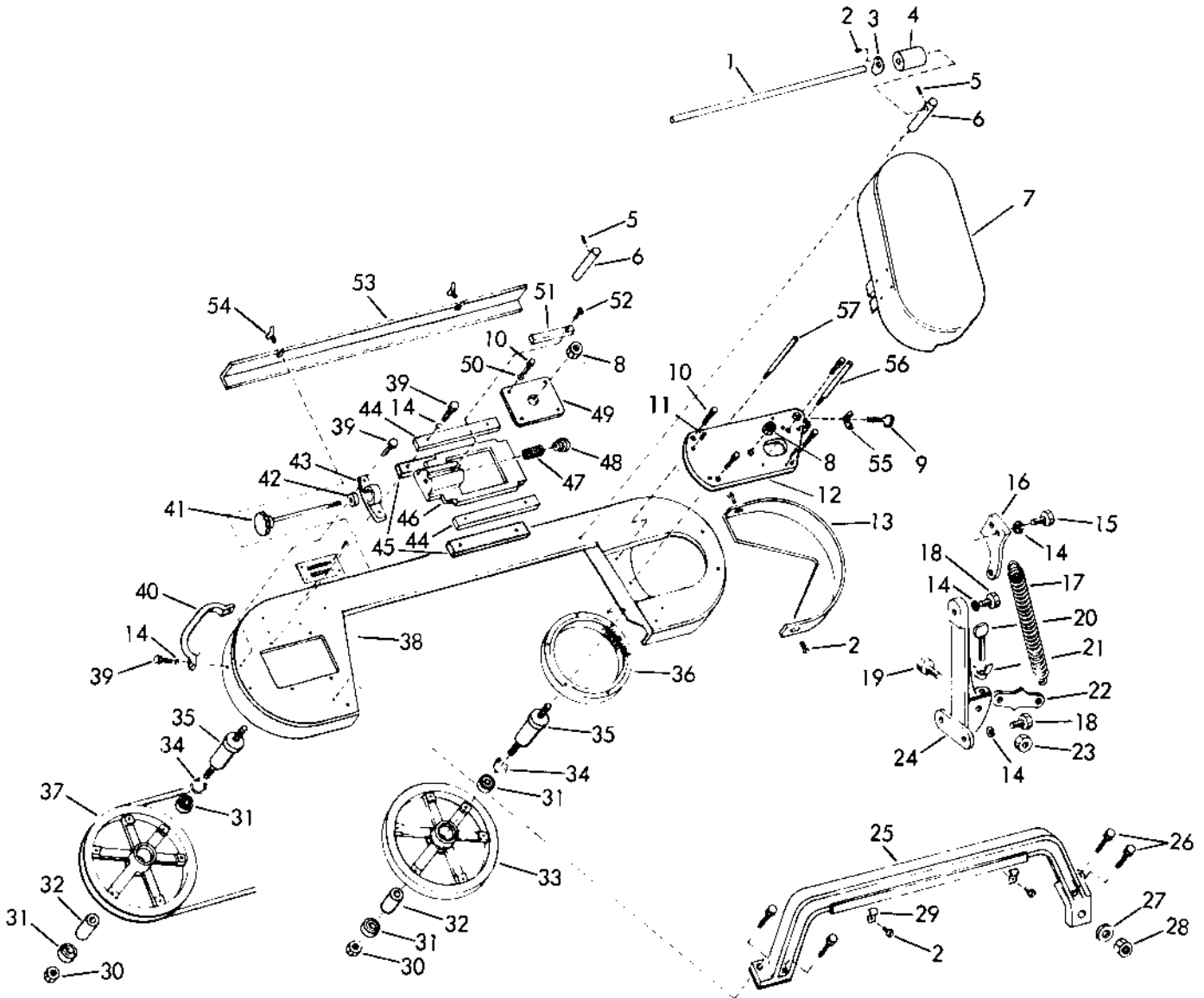
## BED AND COOLANT DETAILS

### PARTS LIST

REF NO.	PART NUMBER	DESCRIPTION
1	B-93	Hand Wheel
2	100019-8	Hex Jam Nut - 3/4 - 10
3	B-14W	Bed
4	100402	Thrust Collar
5	M-60	Vise Screw
6	M-61	Vise Screw Nut
7	B-78	Vise Ratchet
8	B-40	Vise Ratchet Spool
9	M-41	Spacer
10	100004-20	Cap Screw - 5/16 - 18 x 1-1/4 - Hex Head
11	B-79	Vise Ratchet Dog
12	B-3	Movable Vise Jaw
13	100004-44	Cap Screw - 5/8 - 11 x 3 - Hex Head
14	100004-37	Cap Screw - 1/2 - 13 x 1-1/2 - Hex Head
15	100029-6	Flat Washer - 1/2
16	B-215	Stationary Vise Jaw
17	100004-43	Cap Screw - 5/8 - 11 x 2-1/2 - Hex Head
18	M-65	Locating Pin
19	B-151	Clamp Nut
20	B-77	Vise Slide Block
21	B-45	Vise Slide Block Guide
22	100004-16	Cap Screw - 5/16 - 18 x 7/8 - Hex Head
23	100053-2	Roll Pin - 3/8 x 2-1/2
24	B-82	Stop Bar Bracket
25	100004-40	Cap Screw - 5/8 - 11 x 1 - Hex Head
26	B-460	Stock Stop Bar
27	100033-15	Set Screw - 5/8 - 11 x 1
28	B-11	Tip-Off Block
29	100029-8	Flat Washer - 5/8
30	100033-16	Set Screw - 5/8 - 11 x 4
31	100019-7	Hex Jam Nut - 5/8 - 11
32	M-452	Stock Stop Arm - Hinged
33	100042-3	Thumb Screw - 1/4 - 20 x 2
34	100024-2	Wing Nut - 1/4 - 20
35	100004-41	Cap Screw - 5/8 - 11 x 1-1/2 - Hex Head
36	M-451	Stock Stop Arm - Fixed
37	M-250	Splash Guard
38	B-15B	Leg-Drive End
39	100025-5	Lock Washer - 1/2
40	100000-18	Machine Screw - #10 - 32 x 3/8 - Round Head
41	100502-3	Transformer 230 Volt - 60/50 Cycle
	100502-4	Transformer 460 Volt - 60/50 Cycle
	100522-2	Transformer 575 Volt - 60/50 Cycle
	100655	Transformer 380 Volt - 50 Cycle
42	100000-27	Machine Screw - 1/4 - 20 x 3/4 - Round Head
43	101581	Transformer Mounting Plate 230 V or 460 V
	101587	Transformer Mounting Plate 575 V
	101681	Transformer Mounting Plate 380 V
44	100015-8	Hex Nut - #10 - 32
45	B-15A	Leg - Idle End
46	101565-3	Screen
47	101672	Coolant Tank
48	100249-1	Coolant Pump
49	102617	Adapter
50	100219-1	Hose Clamp
51	100220-18	Coolant Hose - 126"
52	101538	Chip Pan
53	B-259	Leg Guard
54	B-26	Frame Rest
55	100025-2	Lock Washer - 5/16
56	100004-15	Cap Screw - 5/16 - 18 x 3/4 - Hex Head

Always Give Model Number, Serial Number and Part Number When Ordering Repair Parts

## WHEEL AND FRAME DETAILS



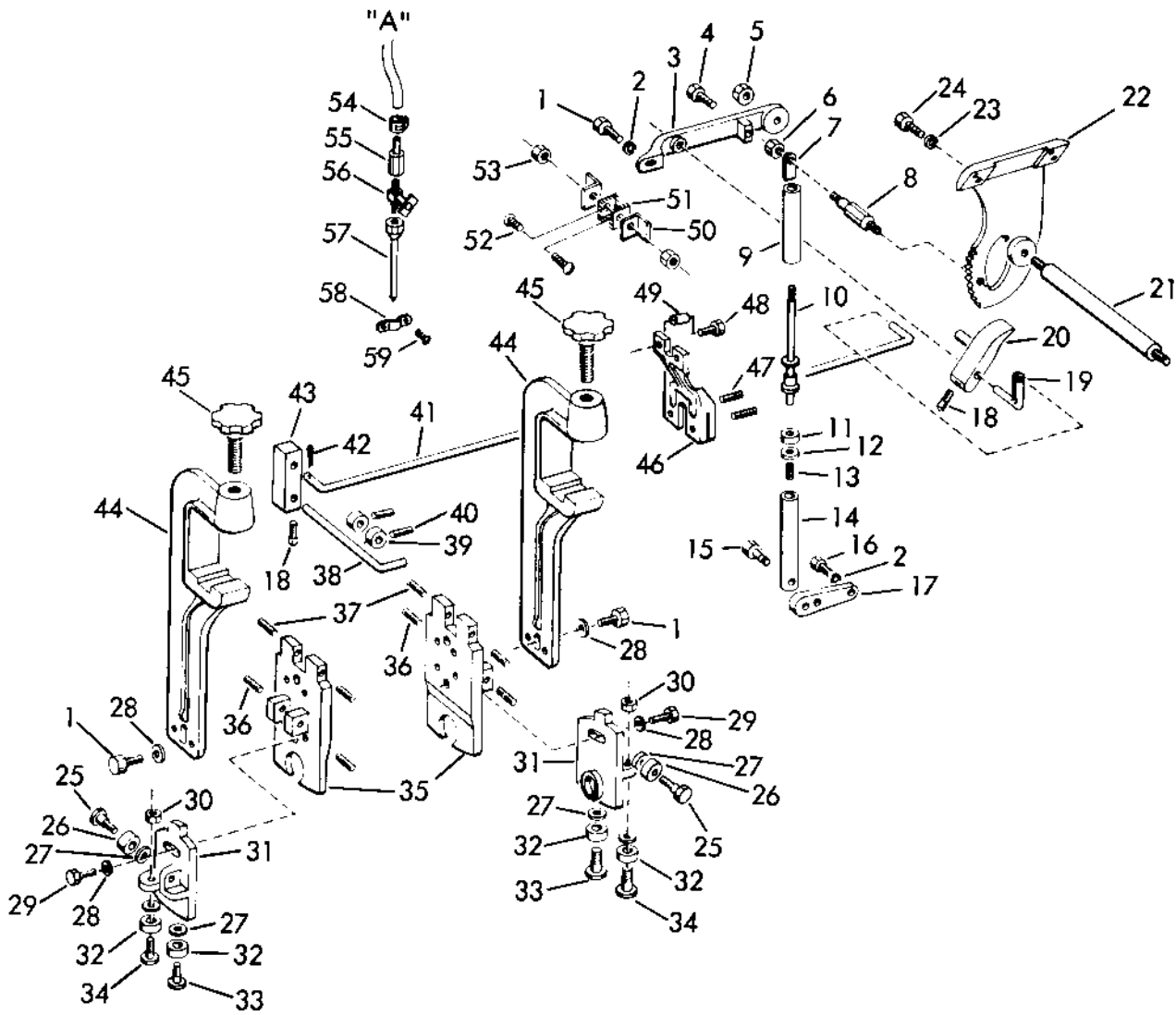
Always give model number, serial number and part number when ordering repair parts.

## WHEEL AND FRAME DETAILS PARTS LIST

REF NO.	PART NUMBER	DESCRIPTION
1	B-101	Sliding Weight Bar
2	10000-24	Machine Screw - 1/4 - 20 x 3/8 - Round Head
3	M-857	Spring
4	M-807	Sliding Weight
5	100034-1	Set Screw - 1/4 - 20 x 3/16
6	M-102	Sliding Weight Post
7	101659	Belt Guard
8	100065-7	Hex Nut - 5/8 - 18
9	100033-19	Set Screw - 3/8 - 16 x 1/2
10	100004-18	Cap Screw - 5/16 - 18 x 1 - Hex Head
11	100034-5	Set Screw - 5/16 - 18 x 3/4
12	104716	Wheel Plate
13	101546	Wheel Guard
14	100025-2	Lock Washer - 5/16
15	100004-16	Cap Screw - 5/16 - 18 x 7/8 - Hex Head
16	101510	Frame Spring Arm
17	B-292	Spring
18	100004-19	Cap Screw - 5/16 - 18 x 1-1/8 - Hex Head
19	100004-22	Cap Screw - 5/16 - 18 x 1-1/2 - Hex Head
20	100042-5	Thumb Screw - 3/8 - 16 x 2-1/2
21	100024-3	Wing Nut - 3/8 - 16
22	M-216	Spring Adjuster
23	100017-2	Hex Nut - 5/16 - 18
24	B-214	Spring Adjuster Housing
25	101548	Guide Bracket Beam
26	100004-30	Cap Screw - 3/8 - 16 x 1-1/2 - Hex Head
27	100029-8	Flat Washer - 5/8
28	100020-5	Hex Nut - 5/8 - 11 - Self Locking
29	M-456	Tube Clamp
30	100019-16	Hex Jam Nut - 5/16 - 18
31	100403-2	Ball Bearing
32	M-172	Wheel Spacer
33	101574	Band Drive Wheel
34	100071-2	Snap Ring
35	101578	Wheel Axle
36	B-86	Internal Ring Gear
37	101575	Band Idler Wheel
38	101456	Frame
39	100004-15	Cap Screw - 5/16 - 18 x 3/4 - Hex Head
40	B-25	Handle
41	101170	Take-Up Screw
42	100410-1	Thrust Bearing
43	101162	Take-Up Support
44	B-46	Wheel Slide Block Guide
45	101449	Spacer
46	101164	Slide Block
47	101198	Tension Spring
48	101197	Spring Tension Nut
49	B-10	Wheel Adjusting Block
50	100029-3	Flat Washer - 5/16
51	101407	Tension Gauge Block
52	100001-11	Machine Screw - #10 - 32 x 1/2 - Flat Head
53	B-49	Blade Guard
54	100063	Thumb Screw - 1/4 - 20 x 1/2
	101652	Wheel Ass'y Comp. - Idler - Incl. Items 30,31,32,34,35,and 37
	101655	Wheel Ass'y Comp. - Drive - Incl. Items 30 thru 36

Always Give Model Number, Serial Number and Part Number When Ordering Repair Parts

## BLADE GUIDES AND DASH POT DETAILS



Always give model number, serial number and part number when ordering repair parts.

## BLADE GUIDES AND DASH POT DETAILS

### PARTS LIST

REF NO.	PART NUMBER	DESCRIPTION
1	100004-18	Cap Screw - 5/16 - 18 x 1 - Hex Head
2	100025-2	Lock Washer - 5/16
3	101451	Frame Ratchet Bracket
4	100004-23	Cap Screw - 5/16 - 18 x 2 - Hex Head
5	100020-5	Hex Nut - 5/8 - 11 - Self Locking
6	100017-3	Hex Nut - 3/8 - 16
7	M-144	Piston Rod End
8	101477	Dash Pot Upper Stud
9	101524	Outside Tube
10	101527	Piston Rod
11	M-166	Cup Leather
12	100070	Cup Washer
13	M-148	Spring
14	101523	Inside Tube
15	M-147	Dash Pot Lower Stud
16	100004-16	Cap Screw - 5/16 - 18 x 7/8 - Hex Head
17	B-212	Leg Bracket - Dash Pot
18	100033-10	Set Screw - 5/16 - 18 x 1/2
19	B-57	Ratchet Lever
20	101498	Ratchet Dog
21	101455	Pivot Bar
22	101547	Frame Ratchet
23	100025-3	Lock Washer - 3/8
24	100004-29	Cap Screw - 3/8 - 16 x 1-1/4 - Hex Head
25	101179	Roller Axle
26	100406-2	Ball Bearing
27	101186	Roller Guide Washer
28	100029-2	Flat Washer - 1/4
29	M-156	Cap Screw - 5/16 - 18 x 7/8 - Thin Head
30	101300	Hex Nut - 5/16 - 18
31	101180	Roller Support
32	100416-3	Ball Bearing
33	101178	Roller Axle
34	101177	Eccentric Roller Axle
35	M-92	Roller Adjuster
36	100034-5	Set Screw - 5/16 - 18 x 3/4
37	100034-6	Set Screw - 5/16 - 18 x 7/8
38	M-105	Ratchet Rod Lever
39	M-107	Collar
40	100034-1	Set Screw - 1/4 - 20 x 3/16
41	B-56	Ratchet Rod
42	100050-1	Cotter Pin - 1/16 x 1/2
43	B-106	Ratchet Rear Arm
44	101453	Roller Guide Bracket
45	105335-1	Hand Wheel & Screw
46	M-198	Blade Brush Bracket
47	100034-3	Set Screw - 5/16 - 18 x 3/8

Always give model number, serial number and part number when ordering repair parts.

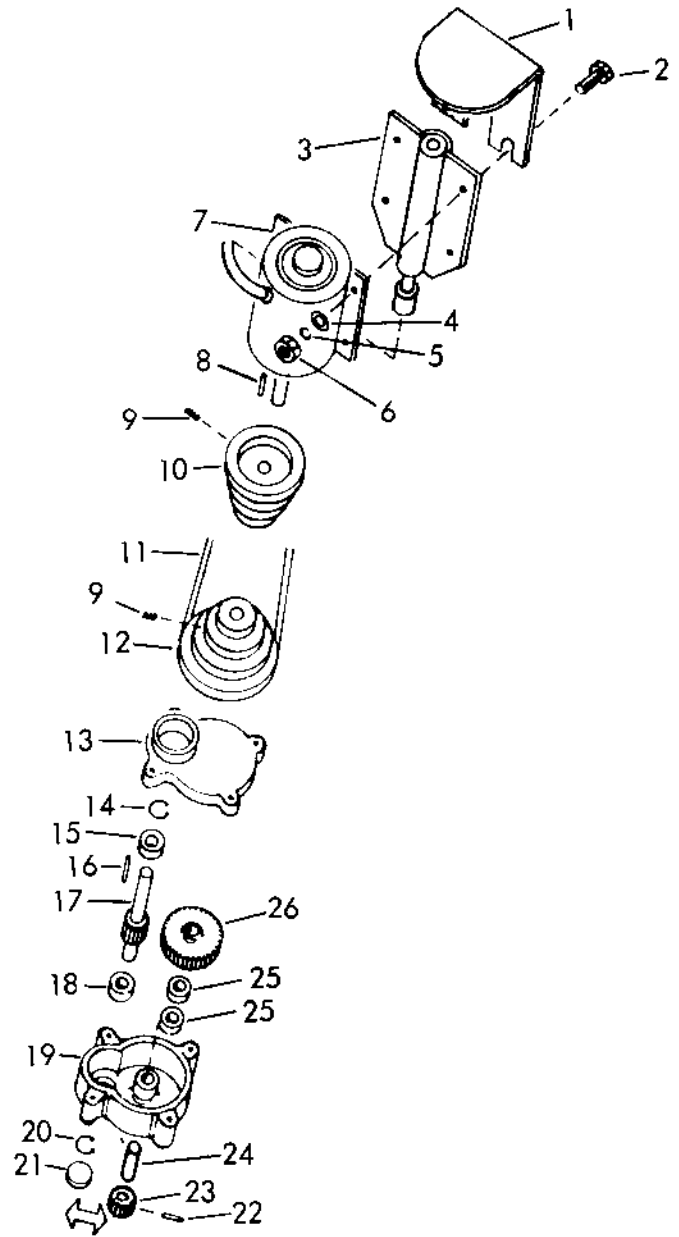
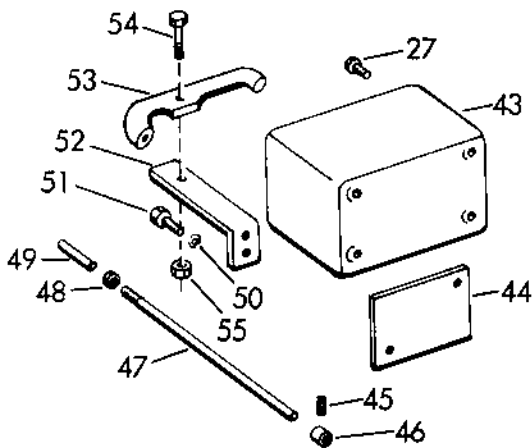
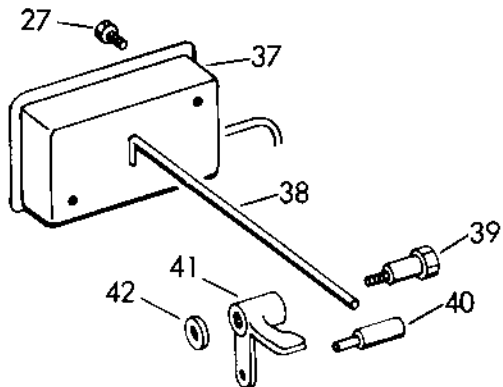
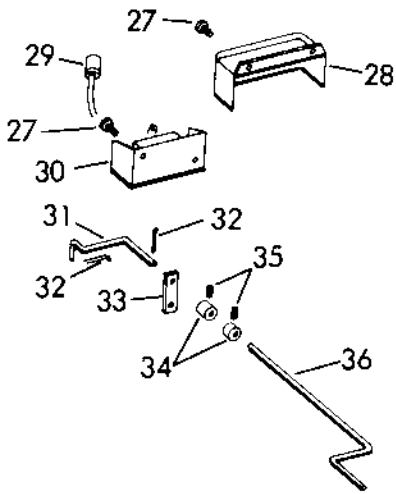
## BLADE GUIDES AND DASH POT DETAILS

### PARTS LIST CONT.

REF NO.	PART NUMBER	DESCRIPTION
48	100004-22	Cap Screw - 5/16 - 18 x 1-1/2 - Hex Head
49	101992	Spacer
50	M-425	Blade Brush Angle
51	M-426	Blade Brush
52	100073-3	Bolt - 1/4 - 20 x 1/2
53	100017-1	Hex Nut - 1/4 - 20
54	100219-1	Hose Clamp
55	102617	Adapter
56	100225	Needle Valve
57	101670	Coolant Nozzle
58	100246-1	Pipe Strap
59	100000-18	Machine Screw - #10 - 32 x 3/8 - Round Head
	101518	Blade Guide Ass'y Comp. - Idle - Incl. Items 1,24 thru 36,43&44
	101522	Blade Guide Ass'y Comp. - Drive - Incl. Items 1,24 thru 36,43&44
	101521	Roller Support Ass'y - Incl. Items 24, 25, 26, and 29 thru 33
	M-309	Blade Brush Bracket Ass'y - Incl. Items 45 thru 51
	M-301	Dash Pot Ass'y Comp. - Incl. Items 7 and 9 thru 11
	101526	Piston Rod Ass'y - Incl. Items 10 thru 13

Always Give Model Number, Serial Number and Part Number When Ordering Repair Parts

## SWITCH, MOTOR AND GEAR CASE DETAILS



Always give model number, serial number and part number when ordering repair parts.

## SWITCH, MOTOR AND GEAR CASE DETAILS

### PARTS LIST

REF NO.	PART NUMBER	DESCRIPTION
1	105312	Motor Cover Guard
2	100004-16	Cap Screw - 5/16 - 18 x 7/8 - Hex Head
3	104712	Motor Plate
4	100029-3	Flat Washer - 5/16
5	100025-2	Lock Washer - 5/16
6	100017-2	Hex Nut - 5/16 - 18
7		3/4 H.P. Motor - Give Complete Electrical Specs.
8	100056-13	Square Key - 3/16 x 3/16 x 1-3/8
9	100034-3	Set Screw - 5/16 - 18 x 3/8
10	101172-1	Motor Pulley - 4 Step
11	100066-5	"V" Belt
12	101156	Pulley Driven - 4 Step
13	101291	Gear Case Cover
14	100068-2	Snap Ring
15	100414-3	Ball Bearing
16	100056-15	Square Key - 3/16 x 3/16 x 1-7/8
17	101187	Pulley Shaft and Pinion
18	100405-1	Ball Bearing
19	M-13	Gear Case
20	100068-1	Snap Ring
21	100072-1	Expansion Plug
22	100053-5	Roll Pin - 3/16 x 1
23	101645	Drive Pinion
24	101644	Drive Shaft
25	100404-1	Ball Bearing
26	101286	Driven Gear
27	100000-24	Machine Screw - 1/4 - 20 x 3/8 - Round Head
28	101736	Switch Shield
29	100570	Cord and Plug for 115 V. Coolant Only
30	101593	Switch - Single Phase
31	101596	Switch Rod
32	100050-1	Cotter Pin - 1/16 x 1/2
33	101734	Lever Arm
34	M-107	Collar
35	100034-1	Set Screw - 1/4 - 20 x 3/16
36	101595	Switch Lever
37	101420	Switch - Three Phase
38	101529	Switch Rod
39	M-34	Trigger Axle
40	101530	Switch Rod Post
41	M-29	Switch Trigger
42	100030-4	Flat Washer - 5/16 S.A.E.
43	100648	Magnetic Starter - Single Phase
	100649	Magnetic Starter - Three Phase
44	101591	Cover Plate
45	100034-9	Set Screw - #10 - 32 x 1/4
46	101627	Collar
47	101632	Switch Rod
48	100015-8	Hex Nut - #10 - 32
49	M-295	Coupler
50	100025-1	Lock Washer - 1/4
51	100004-5	Cap Screw - 1/4 - 20 x 5/8 - Hex Head
52	101630	Lever Bracket
53	101628	Switch Lever
54	101629	Stud
55	100017-1	Hex Nut - 1/4 - 20
	101612	Gear Case Ass'y Comp. - Incl. Items 13 thru 26
	101643	Drive Shaft and Pinion - Incl. Items 22, 23, and 24